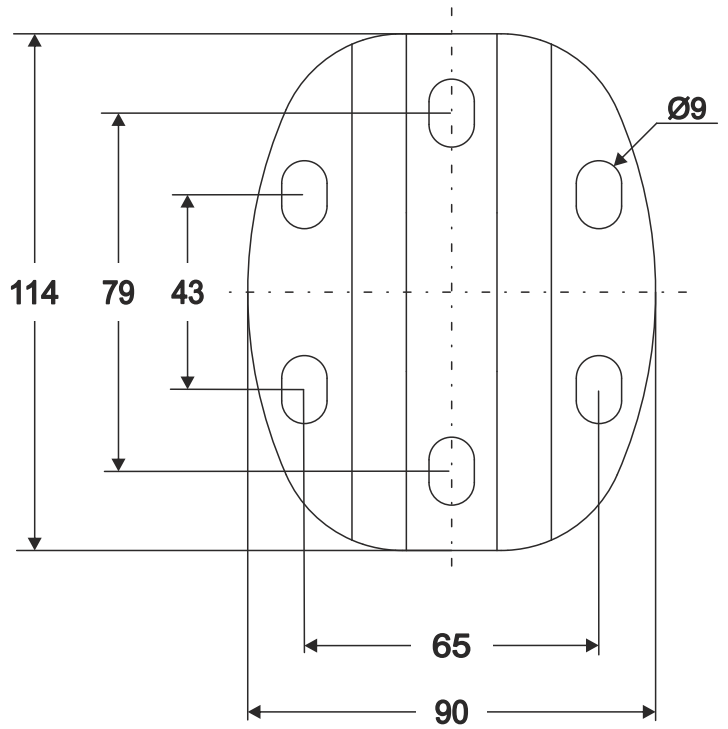
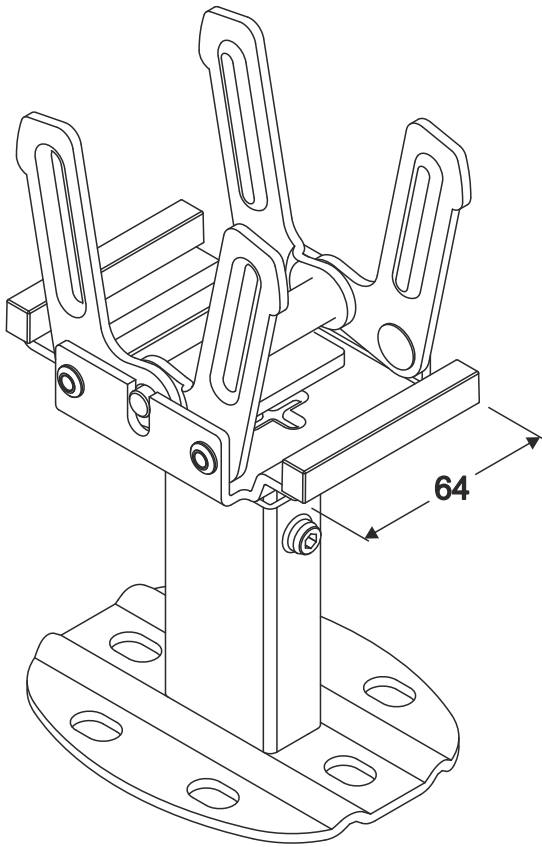


PX3



VA_MES 15 06 059

PATENTED



<p>Type 22 Type 33 Type 30</p>	<p>$F_1 = 2000N$ $F_2 = 700N$ $F_3 = 400N$</p>	
<p>91 - 92</p>	<p>89 - 90</p>	<p>86 - 88</p>